

Hardened PoE Switch

WI-PS206GF-I | WI-PS212GF-I

Hardware Version: V2



Overview

Wi-Tek hardened PoE switch provide 4/8 100Mbps PoE ports, 1 1000Mbps Ethernet port and 1 1000Mbps SFP slot. Professional design providing a flexible, easy to use and reliable industrial network solution. Redundant power design with polarity reverse/over-current protection, guarantee the safe power supply. Solid shell, wide operation temperature from -30°C to 65°C design, ensure its stable and reliable operation even in harsh environment. It is the best choice for outdoor CCTV project, wireless coverage project and the project of harsh application scenarios such as factory and park.

Features

Gigabit Uplink Interfaces Design

WI-PS206GF-I:

4x10/100 Base-TX PoE ports with 1x1000 Base-T RJ45 port and 1x1000 Base-X SFP slot

WI-PS212GF-I: 8x10/100 Base-TX PoE ports with 1x1000 Base-T RJ45 port and 1x1000 Base-X SFP slot

$-30\sim 65^{\circ}\text{C}$ Operating Temperature

$-30\sim 65^{\circ}\text{C}$ operating temperature design, makes it meet the requirement of harsh application environment.

High Level Protection Design

6kV surge immunity, 15kV air discharge and 8kV contact discharge ESD protection design make it an ideal choice for outdoor application scenario.

Redundant DC Power Input Design

Support redundant 48-57V DC power input, provide reliable alternative power access solutions.

Multiple Smart DIP Mode

1. VLAN Mode: All downlink ports are isolated from each other, but can communicate with uplink ports.
2. PoE Watchdog Mode: All PoE ports enable PoE watchdog, which can detect and reboot the offline compliant PoE powered devices.
3. Extend Mode: The transmission distance of PoE ports can be up to 250m, but the rate is limited to 10Mbps.

Specifications



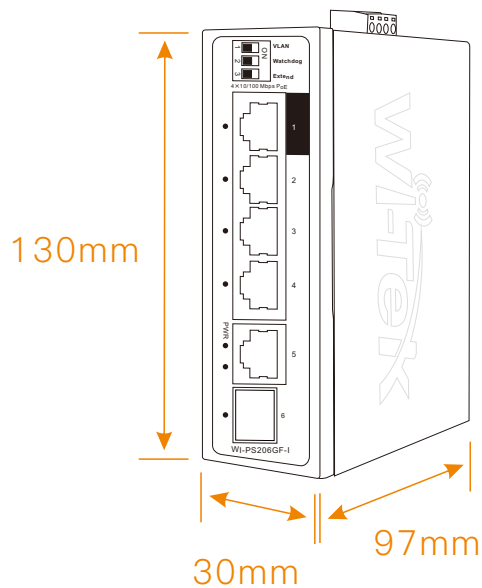
Model	WI-PS206GF-I	WI-PS212GF-I
Hardware Features		
Hardware Version	V2	V2
Interfaces		
Downlink Ports	4 x 10/100Mbps RJ45 ports	8 x 10/100Mbps RJ45 ports
Uplink Ports	1 x 1000Mbps Ethernet port 1 x 1000Mbps SFP Slot	
PoE		
PoE Port	Port 1–4	Port 1–8
PoE Standard	Port 1: 802.3af/at/bt Port 2–4: 802.3af/at	Port 1–2: 802.3af/at/bt Port 3–8: 802.3af/at
PoE Power Supply Type	Mid-span and End-span	
PoE Pin Assignment	802.3af/at: 1/2(+), 3/6(-) 802.3af/at/bt: 1/2(+), 3/6(-) or 4/5(+), 7/8(-)	
PoE Power	90W max for port 1, 30W max for port 2–4, 55W max. PoE Power Budget With included power adapter; 170W max. PoE Power Budget With optional industrial power adapter (sold separately)	90W max for port 1–2, 30W max for port 3–8, 110W max. PoE Power Budget With included power adapter (operating temperature < 45) 260W max. PoE Power Budget With optional industrial power adapter (sold separately)
Switch Property		
Standards and Protocols	IEEE 802.3u Fast Ethernet IEEE 802.3ab Gigabit Ethernet IEEE 802.3x Full-Duplex Flow Control IEEE 802.3az Energy Efficient Ethernet IEEE 802.3af Power-Over-Ethernet IEEE 802.3at Power Over Ethernet Plus IEEE 802.3bt Power Over Ethernet Plus Plus	
Forwarding Mode	Store and Forward	
Switching Capacity	4.8 Gbps	5.6 Gbps
Packet Forwarding Rate	3.57 Mpps	14.9 Mpps
MAC Address Table	8 k	
Jumbo Frame	9.6Kbytes	

Power Supply		
Input Power	DC 52V 1.25A 65W	DC 52V 2.5A 130W (When the operating temperature is greater than 45°C, the power supply power is less than 96W)
Power Consumption	Idle: 5W	Idle: 10W
Physical Characteristics		
LED Indicators	<p>PWR On: the device power on is normal Off: the device is power off or failed</p> <p>Link On: port link up Off: port link down Blinking: data on TX/RX</p> <p>5, 6(Uplink Port) On: port link up Off: port link down Blinking: data on TX/RX</p>	<p>PWR On: the device power on is normal Off: the device is power off or failed</p> <p>Link On: port link up Off: port link down Blinking: data on TX/RX</p> <p>9, 10(Uplink Port) On: port link up Off: port link down Blinking: data on TX/RX</p>
Buttons	<p>VLAN All downlink ports are isolated from each other, but can communicate with uplink ports.</p> <p>Watchdog All PoE ports enable PoE watchdog function,whichcan detect and reboot the offline compliant PoE powered devices.</p> <p>Extend The transmission distance of PoE ports can be up to 250m,but the rate is limited to 10Mbps.</p>	
Fan Quantity	Fanless	
Switch Dimensions	130*97*30 mm	149*118*44 mm
Package Dimensions	249*208*87 mm	249*208*87 mm
Weight	Net Weight: 0.45kg	Net Weight: 0.65 kg
	Package Weight: 1.10 kg	Package Weight: 1.30kg
Installation	Desktop, DIN-rail, Wall-mount	
Environmental		
Reliability	Surge Immunity	IEC 61000-4-5 Common mode 4kV Differential mode 2kV
	ESD Protection	IEC 61000-4-2 Contact discharge 15kV Air discharge 8kV

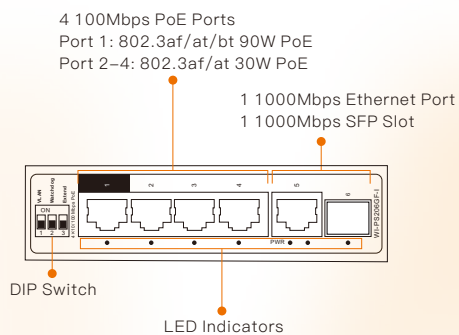
Operating Temperature	-30 ~ 65°C(-22°F to 149°F)
Storage Temperature	-40 ~ 85°C(-40°F to 185°F)
Operating Humidity	5% ~ 95 % (non-condensing)
Certification	
Certification	CE, FCC, RoHS, UKCA, RCM

WI-PS206GF-I

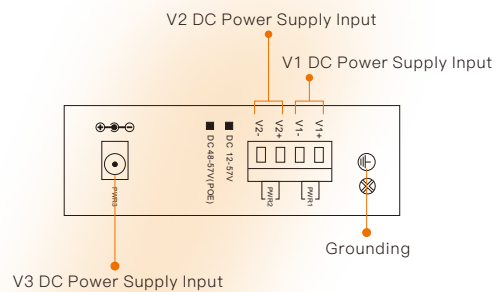
Dimensions (mm)



Front Panel

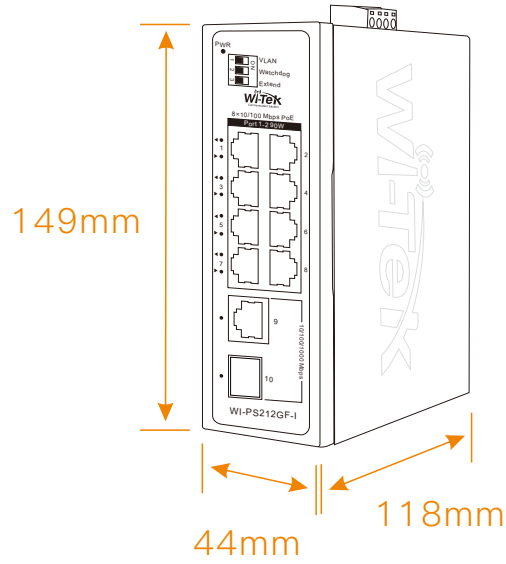


Side Panel

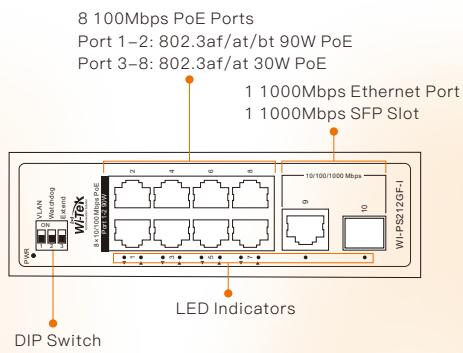


WI-PS212GF-I

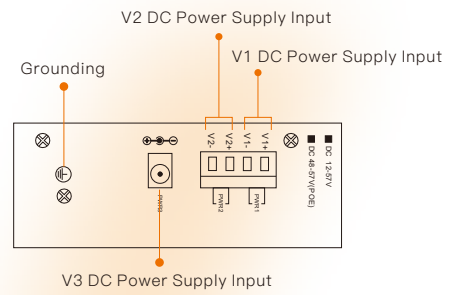
Dimensions (mm)



Front Panel



Side Panel



Package Contents

Welcome to order our products. After purchasing, you will receive:

Items	Quantity
Switch	1 pcs
Power adapter	1 pcs
Wall-mount Accessory(expansion screw x 2; screw x 6; ears x 1)	1 pcs
Quick Installation Guide	1 pcs



Wireless-Tek Technology Limited

Address: Biaofan Technology Building 402, Bao'an street,
Baoan District, Shenzhen City, Guangdong, China

Website: www.wireless-tek.com

Tel: 86-0755-32811290

Email: sales@wireless-tek.com

Technical Support: tech@wireless-tek.com



Technical Support



Cloud Management



Company Website